

JPF Evaluation Framework (Evaluation Standards · Evaluation Criteria) 1/2

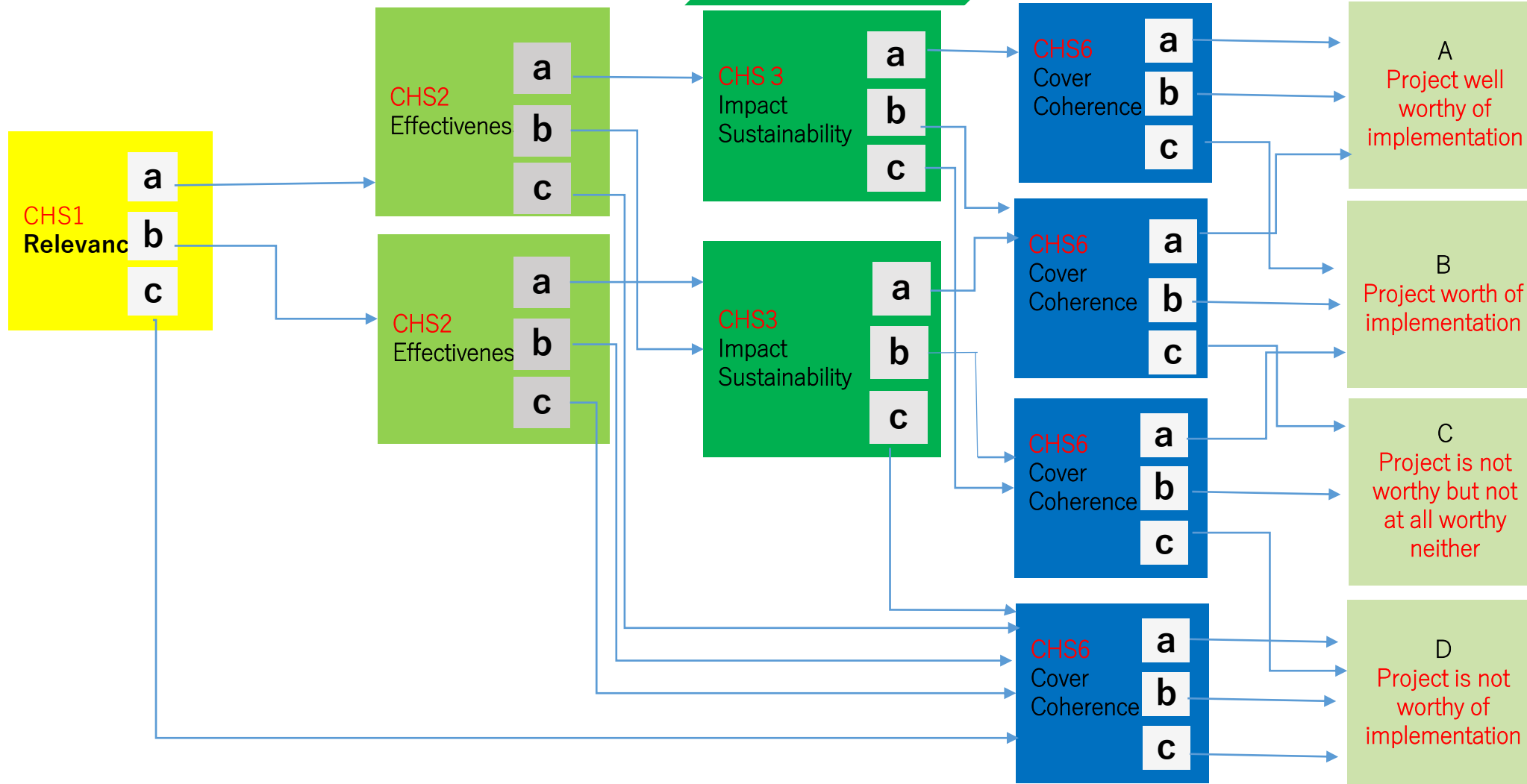
Evaluation Criteria 

Evaluation Standards



	CHS1 Relevance (&Cover)	CHS2 Effectiveness (&Cover)	CHS3 Impact, Sustainability (Connectedness)	CHS6 Cover Coherence
A Score 6~7	Project is appropriate and relevant	Project achieves timely output and/or outcome indicators	Project strengthens local capacities and avoids negative effects	Project coordinate and it is complementary
B Score 4~5	Project is some extent appropriate and relevant	Project is some extent achieves timely output and/or outcome indicators	Project some extent strengthens local capacities and avoids negative effects	Some extent project coordinate and it is complementary
C Score 0~3 点	Project is not appropriate and relevant	Project does not achieve timely output and/or outcome indicators	Project does not strengthens local capacities and avoids negative effects	Project does not coordinate and it is not complementary

Note : Criteria from 4 to 5 are applied through JPF's overseas projects for Emergency Response period to enable the meta analysis within a program and across programs.



参考：CHSとDACの関係性

(出典：2018,p.79「Quality and Accountability Compass」 Group URD)

CHS QUALITY CRITERIA	OECD-DAC CRITERIA						
	RELEVANCE	EFFECTIVENESS	EFFICIENCY	IMPACT	SUSTAINABILITY	COVER	COHERENCE
1. Humanitarian response is appropriate and relevant	Green	Grey	Grey	Grey	Grey	Yellow	Grey
2. Humanitarian response is effective and timely	Grey	Green	Grey	Grey	Grey	Yellow	Grey
3. Humanitarian response strengthens local capacities and avoids negative effects	Grey	Grey	Grey	Green	Green	Grey	Grey
4. Humanitarian response is based on communication, participation and feedback	Yellow	Grey	Grey	Grey	Grey	Grey	Yellow
5. Complaints are welcomed and addressed	Grey	Grey	Grey	Grey	Grey	Grey	Yellow
6. Humanitarian response is coordinated and complementary	Yellow	Grey	Yellow	Grey	Yellow	Green	Green
7. Humanitarian actors continuously learn and improve	Grey	Grey	Grey	Yellow	Grey	Grey	Yellow
8. Staff are supported to do their job effectively, and are treated fairly and equitably	Grey	Yellow	Grey	Grey	Grey	Grey	Yellow
9. Resources are managed and used responsibly for their intended purpose	Grey	Grey	Green	Yellow	Grey	Grey	Yellow

Key Fully relevant to that particular OECD-DAC criteria Partly relevant.
 No specific relevance.